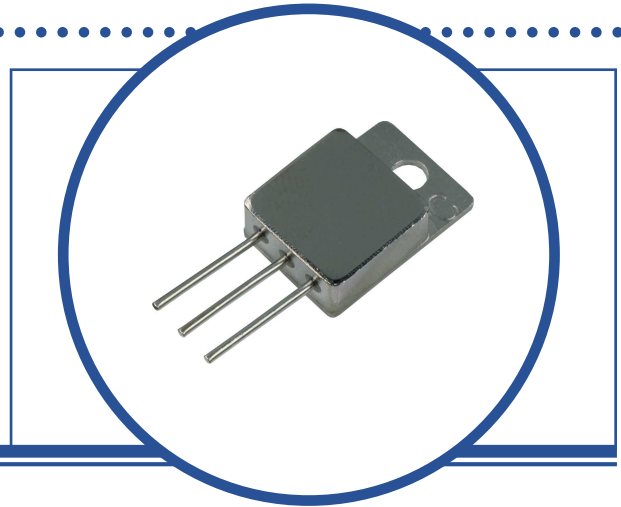


COMPLEMENTARY POWER DARLINGTON

BDS28A/B/CM3A BDS29A/B/CM3A

- High DC Current Gain
- Hermetic Isolated TO-254AA Package
- Screening Options Available
- Designed for General Purpose Amplifier Applications



ABSOLUTE MAXIMUM RATINGS ($T_C = 25^\circ\text{C}$ unless otherwise stated)

		PNP			
		BDS28A	BDS28B	BDS28C	
		NPN			
		BDS29A	BDS29B	BDS29C	
V_{CBO}	Collector – Base Voltage	60V	90V	120V	
V_{CEO}	Collector – Emitter Voltage	60V	90V	120V	
V_{EBO}	Emitter – Base Voltage				5V
I_C	Continuous Collector Current				30A
I_B	Base Current				1.0A
P_D	Total Power Dissipation at $T_C = 25^\circ\text{C}$ Derate Above 25°C				150W 0.857W/ $^\circ\text{C}$
T_J	Junction Temperature Range				-65 to $+200^\circ\text{C}$
T_{stg}	Storage Temperature Range				-65 to $+200^\circ\text{C}$

THERMAL PROPERTIES

Symbols	Parameters	Min.	Typ.	Max.	Units
$R_{\theta JC}$	Thermal Resistance, Junction To Case			1.16	$^\circ\text{C/W}$

COMPLEMENTARY POWER DARLINGTON BDS28A/B/CM3A BDS29A/B/CM3A

ELECTRICAL CHARACTERISTICS ($T_C = 25^\circ\text{C}$ unless otherwise stated)

Symbols	Parameters	Test Conditions		Min.	Typ	Max.	Units
$V_{(BR)CEO}^{(1)}$	Collector-Emitter Breakdown Voltage	BDS 28A BDS 29A	$I_C = 100\text{mA}$	60			V
		BDS 28B BDS 29B	$I_B = 0$	90			
		BDS 28C BDS 29C		120			
I_{CER}	Collector-Emitter Leakage Current	$V_{CE} = V_{CEO \text{ Max.}}$	$R_{BE} = 1.0\text{K}\Omega$			1.0	mA
			$T_C = 150^\circ\text{C}$			5	
I_{EBO}	Emitter Cut-Off Current	$I_C = 0$	$V_{BE} = 5\text{V}$			5	
I_{CEO}	Collector-Emitter Leakage Current	$I_B = 0$	$V_{CE} = 50\text{V}$			1.0	
$V_{CE(sat)}^{(1)}$	Collector-Emitter Saturation Voltage	$I_C = 20\text{A}$	$I_B = 0.2\text{A}$			3	V
		$I_C = 30\text{A}$	$I_B = 0.3\text{A}$			4	
$V_{BE(sat)}^{(1)}$	Emitter-Base Saturation Voltage	$I_C = 20\text{A}$	$I_B = 0.2\text{A}$			3.5	
		$I_C = 30\text{A}$	$I_B = 0.3\text{A}$			5	
$h_{FE}^{(1)}$	Forward-current transfer ratio	$I_C = 20\text{A}$	$V_{CE} = 5\text{V}$	1000			-
		$I_C = 30\text{A}$	$V_{CE} = 5\text{V}$	200			

DYNAMIC CHARACTERISTICS

$h_{fe}^{(1)}$	Small-Signal Current Gain	$I_C = 1\text{A}$ $f = 1.0\text{MHz}$	$V_{CE} = 3\text{V}$	4			MHz
----------------	---------------------------	--	----------------------	---	--	--	-----

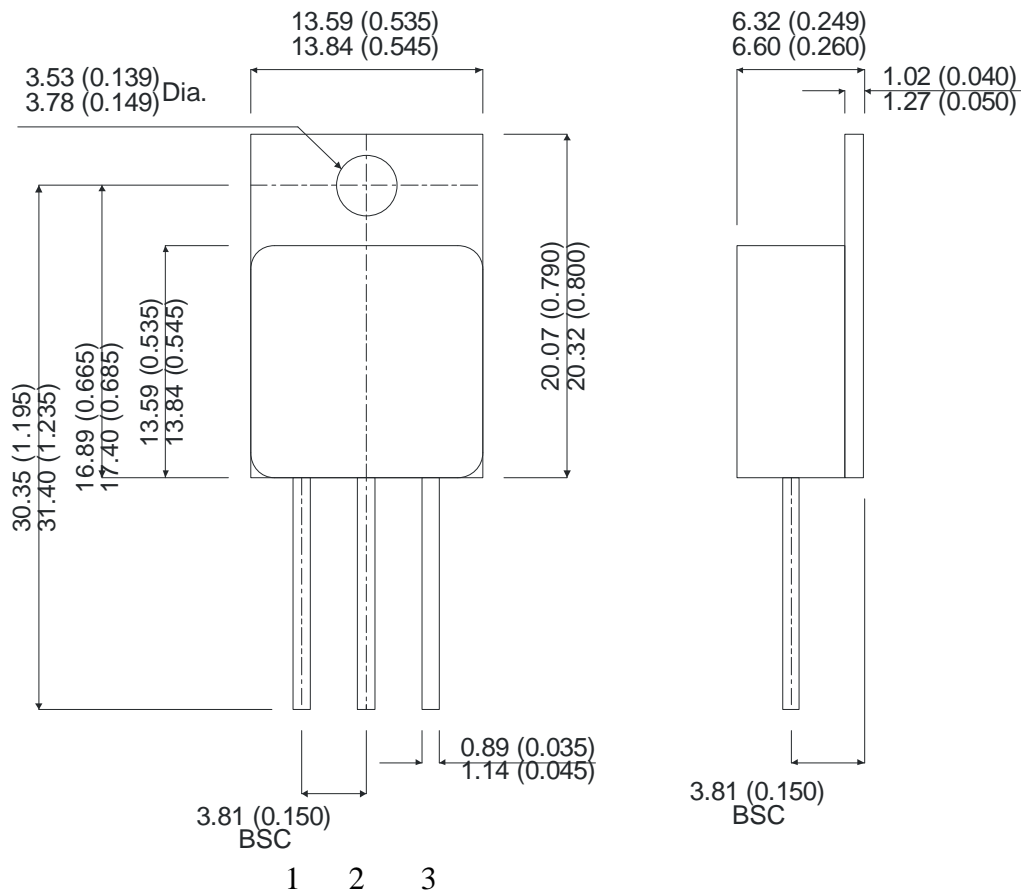
Notes

(1) Pulse Width $\leq 300\mu\text{s}$, $\delta \leq 2\%$

COMPLEMENTARY POWER DARLINGTON BDS28A/B/CM3A BDS29A/B/CM3A

MECHANICAL DATA

Dimensions in mm (inches)



TO254 (TO-254AA)

Pin 1 – Base

Pin 2 – Collector

Pin 3 – Emitter

Case is isolated